

**Description:**

The BLTC-I is a Ballast Channel Mounted Emergency lighting shunt device. It is designed to allow switching of designated **Non-Dimmed** emergency lighting fixtures. The BLTC - I contains low voltage circuitry to safely bypass and shunt switches and relays in the event of a power failure thus providing the emergency lighting power access to alternate power systems such as generators and central inverters.

**Features:**

Unit is designed to override switches in case of normal utility power failure per UL 924 requirements.

Unit mounts into the Ballast Channel of Fixture. Test switch is made accessible by drilling or punching a 1/2" K.O. in the ballast cover. A smaller hole may be used if LED lights do not have to be observed after the ballast channel cover has been installed. After installing the Ballast cover, attach test switch label and provided caution label.

Unit has 36" color coded leads for easy wiring.

On Board Test Switch for Local Inspection and Testing.

**Electrical:**

Unit carries a 10 amp rating for incandescent, fluorescent - magnetic and electronic ballasts, and LED lighting power supplies. 1200 watts incandescent Maximum Load Recommended.

- Sense input: 120V AC or 277v AC with approx. 80 ma current draw.
- Room switch input: 120V AC or 277v AC with approx. 80 ma current draw.
- Emergency power input: 120V AC or 277v AC
- Output voltage: Same voltage as the emergency power input.

Load ratings are as follows: 10 AMPS

**Single voltage rated for 120v or 277v— Specify when Ordering**

Operating Temperature: 32°F to 140°F

Normal and emergency power do not have to be of the same phase.

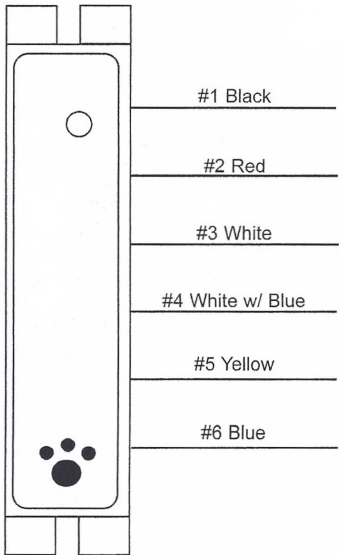
3 separate LED status indicators (NEC 700-7).

Exposed test switch for local inspection. (NEC 700-4)

Meets requirement of NEC 700-B,C - Failsafe to On using mechanically held contacts.

UL 924 listed.

**Specification-Grade Emergency Lighting Control For Switched Emergency Circuits**



**Dimensions and Weight**

**Dimensions:** 1 1/2" W X 6 3/4" L X 1 1/4" H  
**Housing:** Permanently Sealed Thermoplastic housing with UL 94V-0 rating  
**Mounting:** In Ballast Channel  
**Weight:** 12 oz.

**ORDERING INFORMATION**

BLTC	-	I	-		-	
Model		Series		Voltage		Option
				120 or 277		FAI

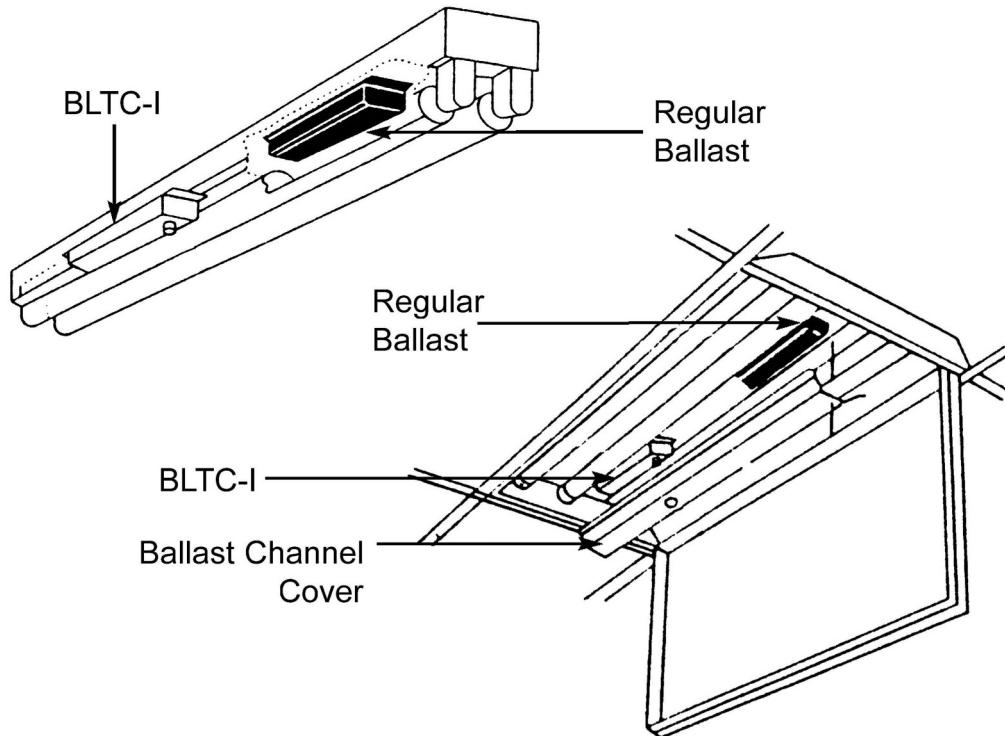
The BLTC-I can be factory installed by Lithonia Lighting in the fixture channel or in the field by a licensed electrician. The Lithonia BLTC-I coding number is Q201427X for 120 volt or Q201428X for 277 volt.

**Fire Alarm and Security System Interface option:**

In the event of an emergency condition (fire, storm, security breach, etc.) or alarm testing, the "FAI-120" and "FAI-277" option causes the BLTC - I units to illuminate the emergency lighting through the opening of a N.C. 24V contact in the building fire alarm or security system. The BLTC - I will energize the emergency lighting fixtures during a loss of normal power no matter what the state of the fire alarm or security system. Requires (2) 18ga LV wires to the nearest fire alarm panel where the N.C. 24V contacts are located. Each "FAI" has a current draw of 40ma. Wiring diagrams provided on separate cut sheet.

# WIRING DIAGRAM

**NOTE:** ALL INPUTS CAN BE OF DIFFERENT VOLTAGES AND ALL INPUTS ARE ISOLATED. THE OUTPUT OF THE DEVICE TO THE EMERGENCY FIXTURE WILL ALWAYS BE THE SAME VOLTAGE AS THE EMERGENCY POWER INPUT OF THIS DEVICE. THE SENSE AND ROOM SWITCH INPUTS ARE USED ONLY FOR MONITORING PURPOSES AND ARE ISOLATED BOTH HOT AND NEUTRAL FROM THE EMERGENCY POWER WHICH FEEDS THE FIXTURE. SEE INSTALLATION INSTRUCTIONS FOR FURTHER INFORMATION.



**BLTC-I BLOCK DIAGRAM**

